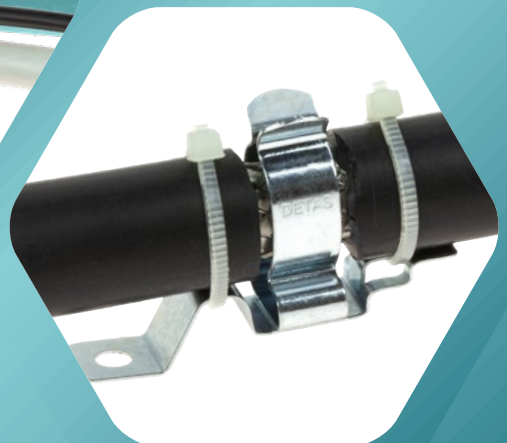




[www.detasultra.com](http://www.detasultra.com)



# Splittable cable glands

## OSF

Snap mounting no screws

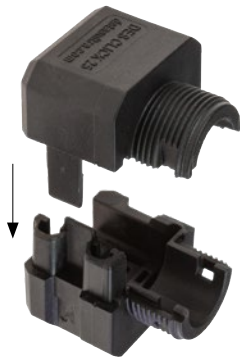
**With locknut**

M16 / M20 / M25 / M32

**90° cable entry version**

**No locknut version** (coming soon)

IP54



## DESCCLICK

Snap mounting no screws

**With locknut**

M20 / M25 / M32 / M50

IP54



## DESPRED

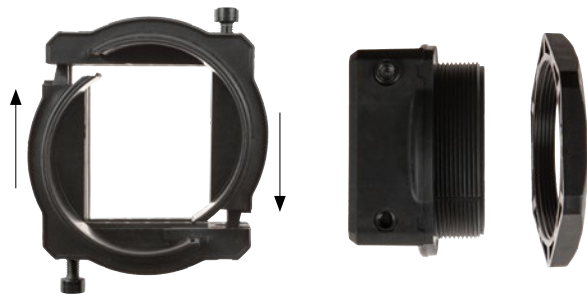
Dacromet SS screws

**With Locknut**

M25 / M32 / M63

Up to 16 cables

IP66 - NEMA 4X

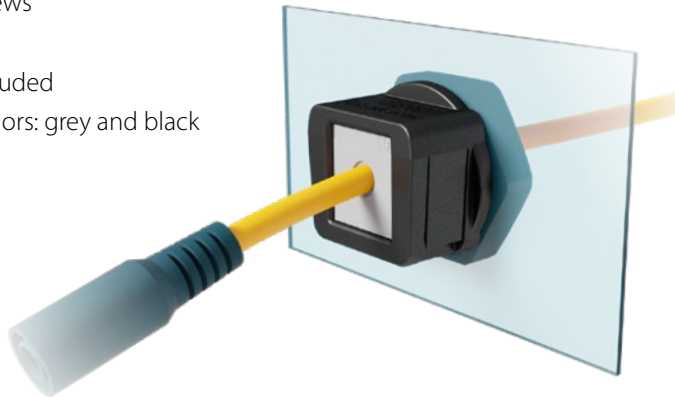




## Splittable cable glands

NEW

- ▶ Metric sizes
- ▶ Without screws
- ▶ IP54
- ▶ Locknut included
- ▶ Available colors: grey and black



Model	Code	Cut-out Ø [mm]	Pcs /pack
OSF 16G	1731052316	16,5	10
OSF 20G	1731052320	20,5	
OSF 25G	1731052325	25,5	
OSF 32G	1731052332	32,5	
OSF 16B	1731052416	16,5	
OSF 20B	1731052420	20,5	
OSF 25B	1731052425	25,5	
OSF 32B	1731052432	32,5	

OSF is a splittable cable gland for metric sizes especially designed for cables with connectors.

The compact size and nice design are just a few of the countless advantages of the OSF Family.

OSF can be equipped with SPC grommets with single or multiple holes for both black and grey UL94V0 colors.

### Technical data

**Material:** PC

**Flammability:** self-extinguishing acc. to UL94-V0

**Temperature:** -40°C... +130°C (static)

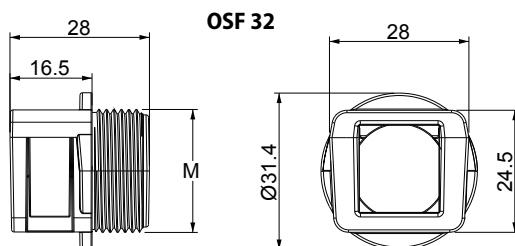
**Features:** halogens and silicones free

### Related products

- Inserts SPC
- Inserts SPC 2x
- Inserts SPC 4x

Hydraulic punch driver HY360

### Dimensions [mm]



IP54

NEMA 12



IK10





# OSF90



## Splittable cable glands with 90° cable entry system

NEW

- ▶ 90° cable entry system
- ▶ Without screws
- ▶ IP54
- ▶ Locknut included
- ▶ Available colors: grey and white



Model	Code	Cut-out Ø [mm]	Pcs /pack
OSF90 16G	1731052916	16,5	10
OSF90 20G	1731052920	20,5	
OSF90 25G	1731052925	25,5	
OSF90 32G	1731052932	32,5	
OSF90 16B	1731052917	16,5	
OSF90 20B	1731052921	20,5	
OSF90 25B	1731052926	25,5	
OSF90 32B	1731052933	32,5	

OSF90 is a 90° splittable cable gland for metric sizes especially designed for cables with connectors. The 90° entry systems nice looking gives more "design" to the machine or cabinet.

The compact size and nice design are only few advantages of the OSF Family.

OSF 90 can be equipped with SPC grommets with single or multiple holes for both black and grey UL94V0 colors.

### Technical data

**Material:** PC

**Flammability:** self-extinguishing acc. to UL94-V0

**Temperature:** -40°C... +130°C (static)

**Features:** halogens and silicones free

### Related products

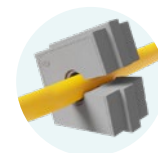
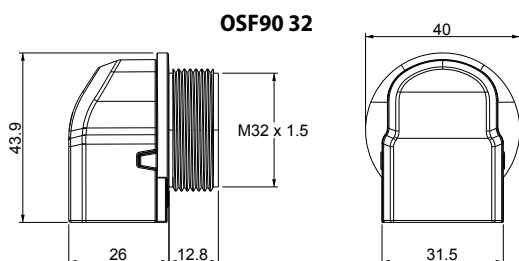
Inserts SPC

Inserts SPC 2x

Inserts SPC 4x

Hydraulic punch driver HY360

### Dimensions [mm]



IP54

NEMA 12



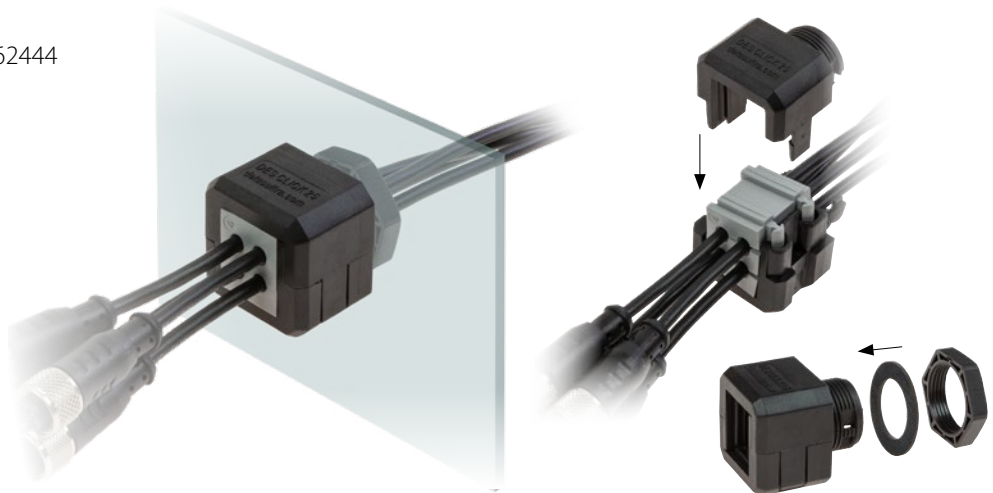
IK10





## Splittable cable gland with locknut

- ▶ Without screws
- ▶ Strain relief according to EN 62444
- ▶ Metric sizes
- ▶ Sturdy construction IK10
- ▶ IP54
- ▶ Grey or black version



Model	Code	Max. insert sizes			Cut-out Ø [mm]	Pcs /pack
DESCCLICK 20B	1731051020	SPP 12	SPP 2x5	SPP 4x2	20,5	10
DESCCLICK 25B	1731051025	SPP 16	SPP 2x6	SPP 4x4	25,5	
DESCCLICK 32B	1731051032	SPP 16	SPP 2x7	SPP 4x6	32,5	
DESCCLICK 20G	1731051320	SPP 12	SPP 2x5	SPP 4x2	20,5	
DESCCLICK 25G	1731051325	SPP 16	SPP 2x6	SPP 4x4	25,5	
DESCCLICK 32G	1731051332	SPP 16	SPP 2x7	SPP 4x6	32,5	
<b>DDM SUB-D9</b>	<b>1731052032</b>	<b>Special size M32 for SUB-D9</b>				<b>10</b>

DESCCLICK is a metric, splittable cable gland for cables with and without connectors. DESCCLICK works with single, big and multiple cable inserts ranging from 2 to 17 mm diameter.

### Technical data

**Material:** PC

**Flammability:** self-extinguishing acc. to UL94-V0

**Temperature:** -40°C... +130°C (static)

**Features:** halogens and silicones free

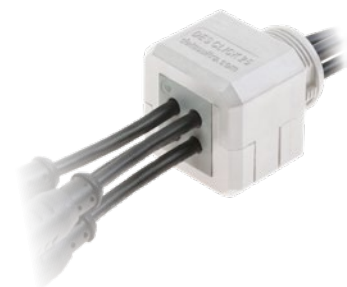
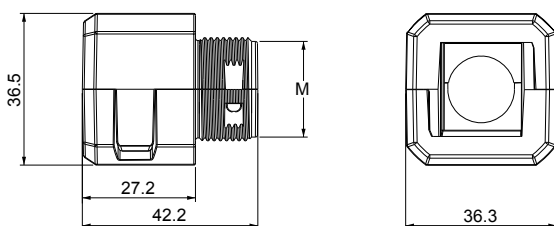
### Related products

- Inserts SPP
- Inserts SPP 2x
- Inserts SPP 4x

Hydraulic punch driver HY360



### Dimensions [mm]



IP54

NEMA 12



IK10



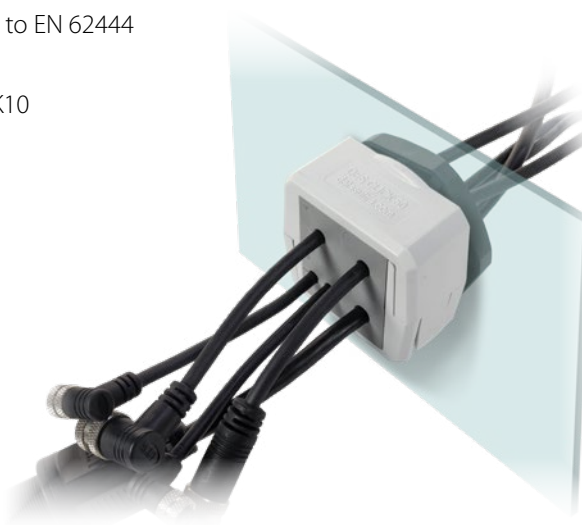


# DESCCLICK 50



## Splittable cable gland with locknut

- ▶ Without screws
- ▶ Strain relief according to EN 62444
- ▶ M50 metric size
- ▶ Sturdy construction IK10
- ▶ IP54



Model	Code	Max. insert sizes			Cut-out Ø [mm]	Pcs /pack
<b>DESCCLICK 50B</b>	<b>1731051050</b>				50,5	10
<b>DESCCLICK 50G</b>	<b>1731051350</b>	<b>SPP 15</b>	<b>SPP 2x6</b>	<b>SPP 4x3</b>		
<b>Some possible configurations</b>						

DESCCLICK 50 is a splittable cable gland for M50 threads. It includes the M50 nut.

DESCCLICK 50 can be used for small, multiple, perforable and big grommets for cables with or without connectors.

### Technical data

**Material:** PC

**Flammability:** self-extinguishing acc. to UL94-V0

**Temperature:** -40°C... +130°C (static)

**Features:** halogens and silicones free

### Related products

Inserts SPG

Inserts SPP

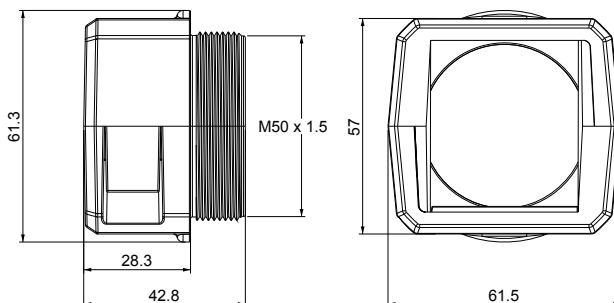
Inserts SPP 2x6

Inserts SPP 4x3

Hydraulic punch driver HY360



### Dimensions [mm]



**IP54**

**NEMA 12**



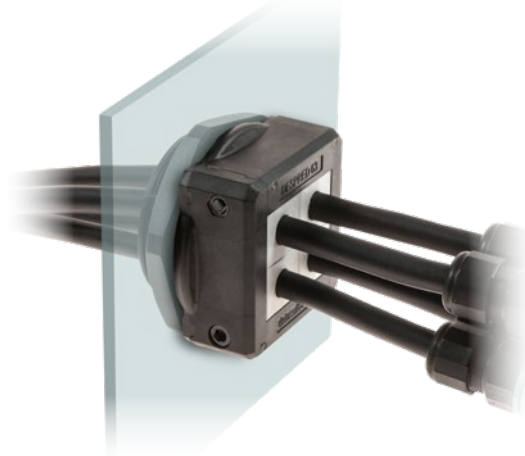
**IK10**





## Splittable cable gland with locknut

- ▶ Frame screws in AISI304 Stainless Steel with Black Dacromet finishing
- ▶ M25, M32 and M63 metric sizes
- ▶ IP66 and Nema 4X certified
- ▶ Strain relief according to EN 62444
- ▶ Sturdy construction IK10
- ▶ Integrated gasket
- ▶ ATEX version on request (see sec. 7)



Model	Code	Some possible configurations	Cut-out Ø [mm]	Pcs /pack
DESPRED 25	1731050025		25,5	10
DESPRED 32	1731050032		32,5	
DESPRED 63	1731050063		63,5	
DDM SUB-D9	1731052032	Special size M32 for SUB-D9		10

The DESPRED series are splittable cable glands for metric threads.

The 63 model can be used with small, multiple and large inserts for cables up to 34 mm diameter. With multiple inserts it is possible to accommodate up to 16 cables. Future cable size changes can also be easily accommodated using various inserts.

### Technical data

**Material:** PP+GF

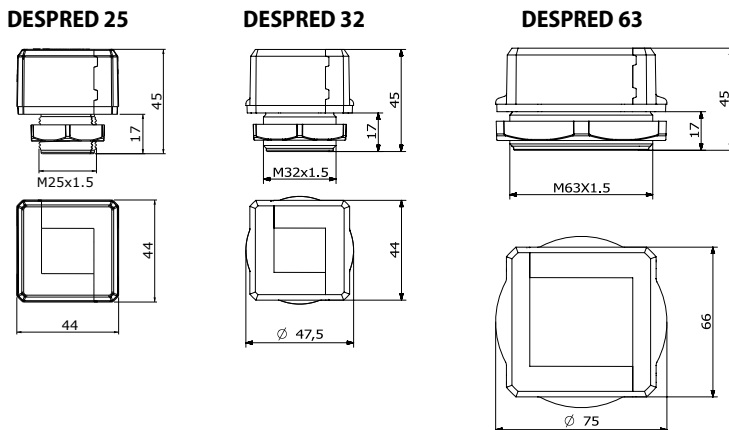
**Flammability:** self-extinguishing acc. to UL94-V0

**Temperature:** -40°C... +155°C (static)

**Features:** halogens and silicones free



### Dimensions [mm]



### Related products

- Inserts SPG
- Inserts SPP
- Inserts SPP 2x
- Inserts SPP 4x

Hydraulic punch driver HY360

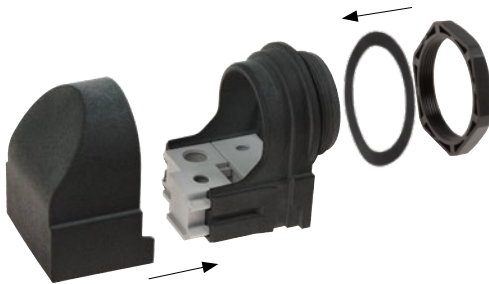


# DESPRED 50-90



## Splittable cable gland and locknut with 90° entry

- ▶ Without screws
- ▶ Metric size
- ▶ Strain relief according to EN 62444
- ▶ IP54
- ▶ Sturdy construction IK10



Model	Code	Some possible configurations	Max. cut-out Ø [mm]	Pcs /pack
DESPRED 50-90	1731050250		50,5	10

DESPRED 50-90 is a M50 metric, splittable cable gland with a 90° entry. It works with small, multiple and large inserts for cables ranging from 2 to 17 mm diameter.

The multiple inserts allow to accommodate up to 16 cables. Large grommets are used with corrugated tubes.

### Technical data

**Material:** PA66+GF

**Flammability:** self-extinguishing acc. to UL94-V0

**Temperature:** -40°C... +155°C (static)

**Features:** halogens and silicones free

### Related products



Inserts SPG (for corrugates)



Inserts SPP



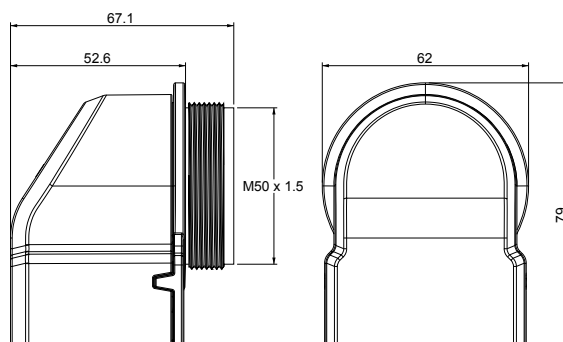
Inserts SPP 2x



Inserts SPP 4x

Hydraulic punch driver HY360

### Dimensions [mm]



1



IP54

NEMA 12



IK10

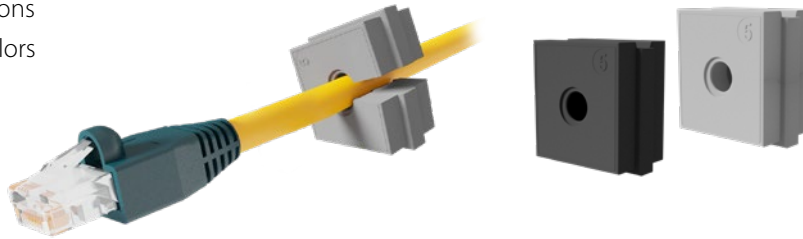




## Inserts single, double, quadruple for OSF Family

NEW

- ▶ Openable cable inserts for diameters from 2 to 14 mm
- ▶ Blind version available
- ▶ Grey and black versions
- ▶ UL94-V0 for both colors



Model	Code	Ø Cable [mm]	Model	Code	Pcs /pack
		■			
SPC 0G	1731052500	"blind"	SPC 0B	1731052600	10
SPC 2G	1731052502	2	SPC 2B	1731052602	
SPC 3G	1731052503	3	SPC3B	1731052603	
SPC 4G	1731052504	4	SPC 4B	1731052604	
SPC 5G	1731052505	5	SPC 5B	1731052605	
SPC 6G	1731052506	6	SPC 6B	1731052606	
SPC 7G	1731052507	7	SPC 7B	1731052607	
SPC 8G	1731052508	8	SPC 8B	1731052608	
SPC 9G	1731052509	9	SPC 9B	1731052609	
SPC 10G	1731052510	10	SPC 10B	1731052610	
SPC 11G	1731052511	11	SPC 11B	1731052611	
SPC 12G	1731052512	12	SPC 12B	1731052612	
SPC 13G	1731052513	13	SPC 13B	1731052613	
SPC 14G	1731052514	14	SPC 14B	1731052614	
		■●			
SPC 2x2G	1731052522	2	SPC 2x2B	1731052622	10
SPC 2x3G	1731052523	3	SPC 2x3B	1731052623	
SPC 2x4G	1731052524	4	SPC 2x4B	1731052624	
SPC 2x5G	1731052525	5	SPC 2x5B	1731052625	
SPC 2x6G	1731052526	6	SPC 2x6B	1731052626	
SPC 2x7G	1731052527	7	SPC 2x7B	1731052627	
		■●●			
SPC 4x2G	1731052532	2	SPC 4x2B	1731052632	10
SPC 4x3G	1731052533	3	SPC 4x3B	1731052633	
SPC 4x4G	1731052534	4	SPC 4x4B	1731052634	
SPC 4x5G	1731052535	5	SPC 4x5B	1731052635	
SPC 4x6G	1731052536	6	SPC 4x6B	1731052636	

The SPC cable inserts are openable grommets which can be used into the OSF series for routing preterminated cables with diameters from 2 to 14 mm.

The 2X and 4X allow multiple cables to be routed into the same cable gland.

### Technical data

**Material:** TPE

**Flammability:** self-extinguishing acc. to UL94-V0 (grey or black)

**Temperature:** -40°C... +110°C (static)

**Features:** halogens and silicones free

### Related products

OSF  
OSF 90



1



## DES inserts - small: single, double and quadruple

- ▶ Inserts for cables from 2 to 17 mm diameter
- ▶ "Blind" version available
- ▶ Grey and black colours available
- ▶ UL94-V0 for both colours
- ▶ ATEX version on request (see sec. 7)



The SPP inserts enable several cables from 2 to 17 mm diameter to be installed in the DES splittable frame.

The 2X and 4X versions allow multiple cables in the same grommet.

### Technical data

**Material:** TPE

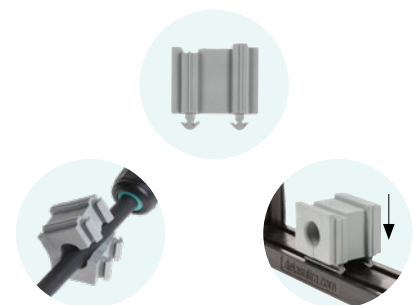
**Flammability:** self-extinguishing acc. to UL94-V0 (grey or black)

**Temperature:** -40°C... +110°C (static)

**Features:** halogens and silicones free

### Related products

- |           |        |              |
|-----------|--------|--------------|
| DES 24    | DES L5 | DESPRED      |
| DES 24-90 | DES L4 | DESPRED 90   |
| DES 16    | DES L3 | DESCCLICK    |
| DES 10    | DES L2 | DESCCLICK 50 |
| DES Q     |        |              |



Model	Code	Ø Cable [mm]	Model	Code	Pcs /pack
		■			
SPP 0G	1731020100	senza foro	SPP 0B	1731020200	10
SPP 2G	1731020102	2-3	SPP 2B	1731020202	
SPP 3G	1731020103	3-4	SPP 3B	1731020203	
SPP 4G	1731020104	4-5	SPP 4B	1731020204	
SPP 5G	1731020105	5-6	SPP 5B	1731020205	
SPP 6G	1731020106	6-7	SPP 6B	1731020206	
SPP 7G	1731020107	7-8	SPP 7B	1731020207	
SPP 8G	1731020108	8-9	SPP 8B	1731020208	
SPP 9G	1731020109	9-10	SPP 9B	1731020209	
SPP 10G	1731020110	10-11	SPP 10B	1731020210	
SPP 11G	1731020111	11-12	SPP 11B	1731020211	
SPP 12G	1731020112	12-13	SPP 12B	1731020212	
SPP 13G	1731020113	13-14	SPP 13B	1731020213	
SPP 14G	1731020114	14-15	SPP 14B	1731020214	
SPP 15G	1731020115	15-16	SPP 15B	1731020215	
SPP 16G	1731020116	16-17	SPP 16B	1731020216	
		■ ■			
SPP 2x2G	1731020304	2 x 2	SPP 2x2B	1731020404	10
SPP 2x3G	1731020306	2 x 3	SPP 2x3B	1731020406	
SPP 2x4G	1731020308	2 x 4	SPP 2x4B	1731020408	
SPP 2x5G	1731020310	2 x 5	SPP 2x5B	1731020410	
SPP 2x6G	1731020312	2 x 6	SPP 2x6B	1731020412	
SPP 2x7G	1731020314	2 x 7	SPP 2x7B	1731020414	
SPP 2x8G	1731020316	2 x 8	SPP 2x8B	1731020416	
		■ ■ ■			
SPP 4x2G	1731020318	4 x 2	SPP 4x2B	1731020418	10
SPP 4x3G	1731020320	4 x 3	SPP 4x3B	1731020420	
SPP 4x4G	1731020322	4 x 4	SPP 4x4B	1731020422	
SPP 4x5G	1731020324	4 x 5	SPP 4x5B	1731020424	
SPP 4x6G	1731020326	4 x 6	SPP 4x6B	1731020426	
		■			
SPP ASI G	1731021130	1 x ASI	-	-	10
SPP ASI2 G	1731021140	2 x ASI	-	-	

1

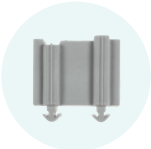


## DES inserts with extended range - for cables without connectors

- ▶ Diameters from 2,5 to 14 mm
- ▶ "Blind" insert pierceable available
- ▶ Grey and black colours available
- ▶ UL94-V0 for both colours
- ▶ ATEX version on request (see sec. 7)



Double parallel membrane



Model	Code	Ø Cable min/max [mm]	Model	Code	Pcs /pack
SPP K0G	1731021100	"blind"	SPP K0B	1731023100	
SPP K1G	1731021110	2,5/7	SPP K1B	1731023110	
SPP K2G	1731021115	4,5/10	SPP K2B	1731023115	10
SPP K3G	1731021120	7,5/12,5	SPP K3B	1731023120	
SPP K4G	1731021125	9/14	SPP K4B	1731023125	

The SPP K inserts have a dual function: they can be used as "blind" inserts for future application of single cable without connector or they can be used as single grommet for one cable without connector. The cable size can be chosen between 4 solutions from 2,5 a 14 mm diameter.

The double membrane ensures the highest water and dust protection.

### Technical data

**Material:** TPE

**Flammability:** self-extinguishing acc. to UL94-V0 (grey or black)

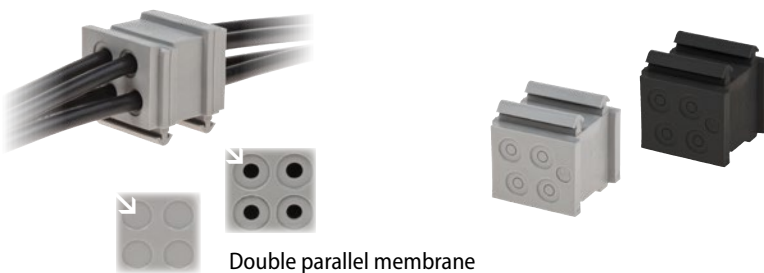
**Temperature:** -40°C... +110°C (static)

**Features:** halogens and silicones free

### Related products

DES 24	DES L5	DESPRED
DES 24-90	DES L4	DESPRED 90
DES 16	DES L3	DESCCLICK
DES 10	DES L2	DESCCLICK 50
DES Q		

## SPP M



Double parallel membrane

Model	Code	Cable nr. - Ø cable [mm]	Model	Code	Pcs /pack
SPP M4G	1731020504	4 – max. 6	SPP M4B	1731020604	
SPP M4bG	1731020505	2 – max. 3 2 – max. 7	SPP M4bB	1731020605	10

The SPP M inserts have a dual function: they can be used as "blind" inserts for future application of multiple cables without connector or they can be used in the DES splittable frame as multi grommets for non terminated cables.

The double membrane ensures the highest water and dust protection.



# SPP F



## Small inserts with threaded inserts M8 and M12

Thanks to the integrated metric thread, the SPP F series can be used as terminals for sensors, pneumatics, etc.

The items for M8 and M12 connectors are standard, other models are available on request.



### Technical data

**Material:** TPE, brass insert

**Flammability:** self-extinguishing acc. to UL94-V0 (grey or black)

**Temperature:** -40°C... +110°C (static)

**Features:** halogens and silicones free

### Related products

- DES 24    DES L5    DESPRED
- DES 24-90    DES L4    DESPRED 90
- DES 16    DES L3    DESCLICK
- DES 10    DES L2    DESCLICK 50
- DES Q

Model	Code	Thread	Pcs /pack
SPP F8G	1731020708	M8 x 0,5	10
SPP F12G	1731020712	M12	

IP65

NEMA 12

ECOLAB

UL94-V0

UV ISO 4892-2A

RoHS COMPLIANT

TPE

+110  
-40  
°C

# ISP

## Plugs for SPP series

► Plastic plugs for SPP inserts, from 2 to 16 mm diameter



The ISP plugs fit perfectly into the SPP insert hole restoring the water protection property of the DES splittable frames. These plugs range from 2 to 16 mm diameter.

### Technical data

**Material:** PA

**Flammability:** self-extinguishing acc. to UL94-V0

**Temperature:** -40°C... +155°C (static)

**Features:** halogens and silicones free

### Related products

- SPP    SPP 2x    SPP 4x

Model	Code	Ø Diameter [mm]	Length [mm]	Pcs /pack
ISP 2	1731040002	2	30	20
ISP 3	1731040003	3		
ISP 4	1731040004	4		
ISP 5	1731040005	5		
ISP 6	1731040006	6		
ISP 7	1731040007	7		
ISP 8	1731040008	8		
ISP 9	1731040009	9		
ISP 10	1731040010	10		
ISP 11	1731040011	11		
ISP 12	1731040012	12		
ISP 13	1731040013	13		
ISP 14	1731040014	14		
ISP 15	1731040015	15		
ISP 16	1731040016	16		

IP54

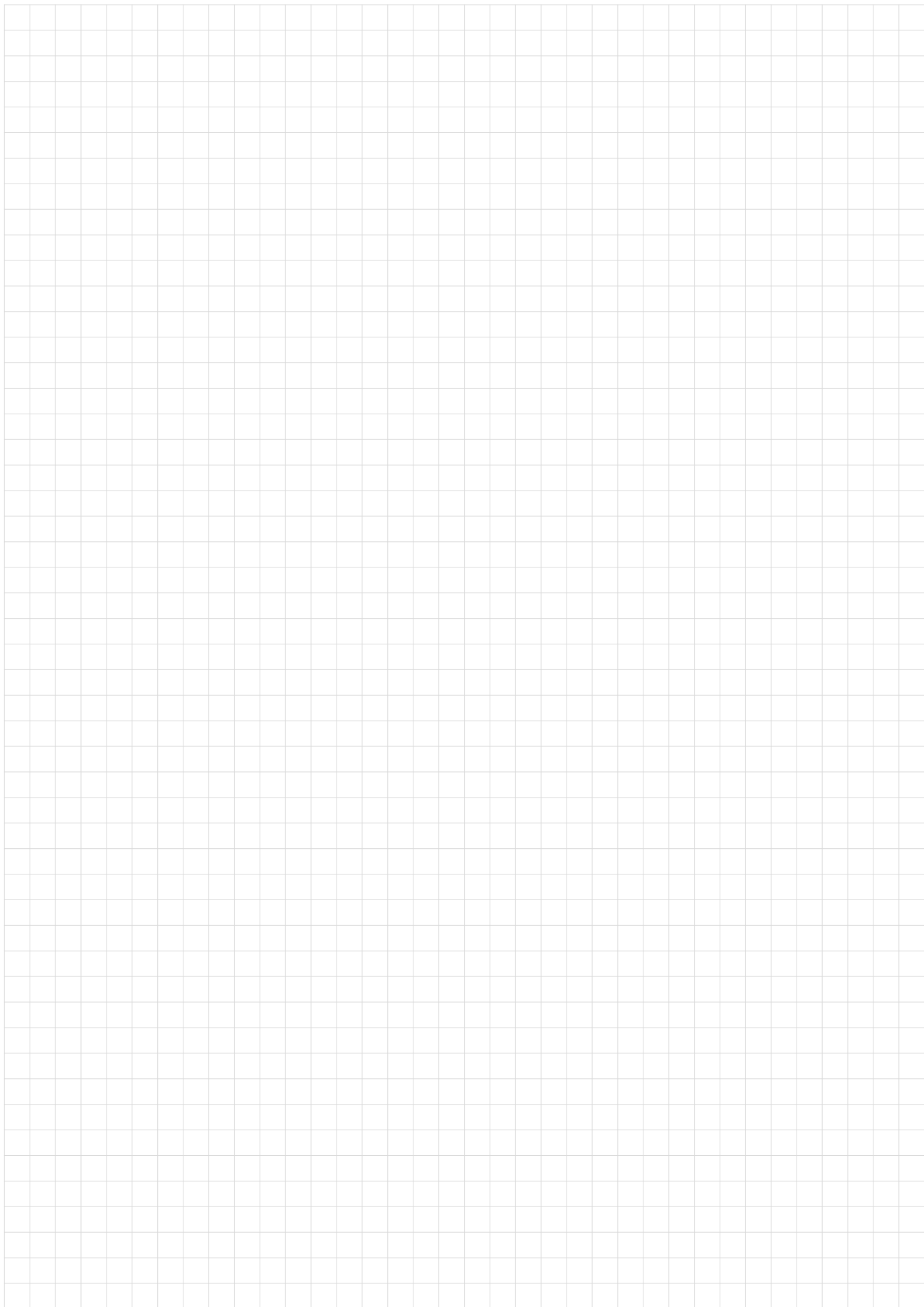
UL94-V0

UV ISO 4892-2A

RoHS COMPLIANT

PA

+155  
-40  
°C



[www.detasultra.com](http://www.detasultra.com)



DetasUltra is a division of

**DETAS SpA**

Via Treponti, 29

25086 Rezzato (BS) - ITALY

Tel. +39 030 2594120

[info@detasultra.com](mailto:info@detasultra.com)

ISO9001 / ISO14001 certified company

Vers. 8.1 / 2020 - CDTUEN2181

